

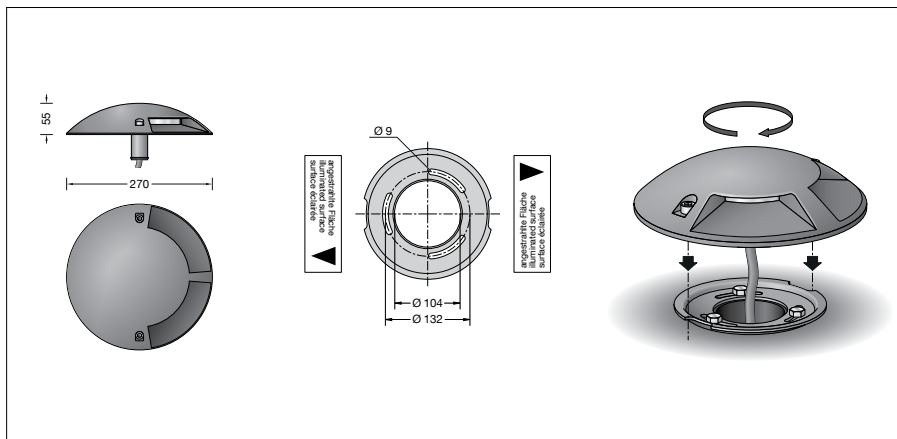
BEGA**77 089**

Surface-mounted luminaire



Project · Reference number

Date



Product data sheet

Product description

Luminaire made of aluminium alloy and stainless steel
 BEGA Unidure® coating technology
 Colour graphite
 Borosilicate glass
 Silicone gasket
 Luminaire with mounting plate for bolting onto a foundation or onto a connecting housing
 Mounting plate made of stainless steel
 Steel grade number 1.4301
 3 fixing holes \varnothing 9 mm
 Angle 120° · Pitch circle \varnothing 132 mm
 1,8 m water-resistant connecting cable 07RN8-F 3G1[□] with implemented water stopper and 1.2 m PVC cable conduit
 LED power supply unit
 220-240 V \sim 0/50-60 Hz
 Safety class I
 Protection class IP 67
 Dust-tight and protection against temporary immersion
 Pressure load 1,000 kg (~10 kN)
 Impact strength IK10
 Protection against mechanical impacts < 20 joule
 Maximum surface temperature 25 °C (measured according to EN 60598 of t_a 15 °C)
 – Safety mark
 – Conformity mark
 Weight: 2.9 kg
 This product contains light sources of energy efficiency class(es) G

Application

Surface-mounted luminaire with half-sided light sector.
 Drive-over luminaire for vehicles with pneumatic tyres.
 For the various requirements at the installation site, we offer a connection housing as a accessory.

The luminaires can thus be installed on unaped surfaces.

Please note:

Luminaire must not be used for installation in road lanes, where the fixture is exposed to a horizontal strain due to braking, acceleration and change of direction.

Lamp

Module connected wattage	5.9 W
Luminaire connected wattage	7 W
Rated temperature	$t_a = 25$ °C
Ambient temperature	$t_{a \max} = 60$ °C

77 089 K27

Module designation	LED-0258/827
Colour temperature	2700 K
Colour rendering index	CRI > 80
Module luminous flux	870 lm
Luminaire luminous flux	176 lm
Luminaire luminous efficiency	25,1 lm/W

77 089 K3

Module designation	LED-0258/830
Colour temperature	3000 K
Colour rendering index	CRI > 80
Module luminous flux	875 lm
Luminaire luminous flux	177 lm
Luminaire luminous efficiency	25,3 lm/W

77 089 K4

Module designation	LED-0258/840
Colour temperature	4000 K
Colour rendering index	CRI > 80
Module luminous flux	930 lm
Luminaire luminous flux	188 lm
Luminaire luminous efficiency	26,9 lm/W

Inrush current

Inrush current: 5 A / 40 μ s
 Maximum number of luminaires of this type per miniature circuit breaker:
 B 10A: 50 luminaires
 B 16A: 50 luminaires
 C 10A: 80 luminaires
 C 16A: 80 luminaires

Service life · Ambient temperature

Rated temperature $t_a = 25$ °C	
LED psu:	> 50,000 h
LED module:	> 200,000 h (L 80 B 50) 100,000 h (L 90 B 50)

Ambient temperature max. $t_a = 60$ °C (100 %)	
LED psu:	50,000 h
LED module:	190,000 h (L 80 B 50)

Lighting technology

Luminaire data for the DIALux lighting design program for outdoor lighting, street lighting and indoor lighting, as well as luminaire data in EULUMDAT and IES format are available on the BEGA website at www.bega.com.

Accessories

71 246 Connection housing made of galvanised steel
 Total length 225 mm

70 730 Distribution box with 7 cable entries
 Connection terminals 5 x 4[□]

For the accessories a separate instructions for use can be provided upon request.

Article No. 77 089

LED colour temperature optionally 2700 K, 3000 K or 4000 K
 2700 K – Article number + **K27**
 3000 K – Article number + **K3**
 4000 K – Article number + **K4**

Light distribution